

# Barriere spartitraffico

Central reserve guardrails



**MARCEGAGLIA**  
BUILDTECH

# steel safety on roadways

Require Marcegaglia Buildtech full range of steel road safety barriers: from the **steel partner**, steel safety on roadways.

Marcegaglia Buildtech safety barriers solutions are part of Marcegaglia steel production chain and are engineered, assembled then **tested** in order to comply with specific **norm requirements**.

## Certificazioni

*Certifications - Zertifizierungen - Certifications - Certificaciones*

- **RINA ISO 9001:2008** certificato N. 12370/05/S
- **IQNet - CISQ/RINA** Quality Management System **ISO 9001:2008** Registration N. IT-42009
- **Certificati CE** di costanza della prestazione

## Crash tests

*Crash tests - Crash-Tests - Essais de chocs - Crash tests*



## Classe H3 Spartitraffico - Barriera 3 onde W6

Class H3 Central reserve - 3-waves guardrail W6

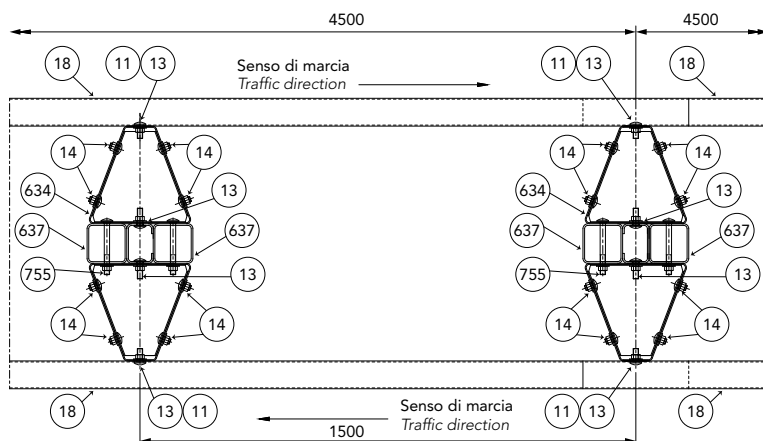
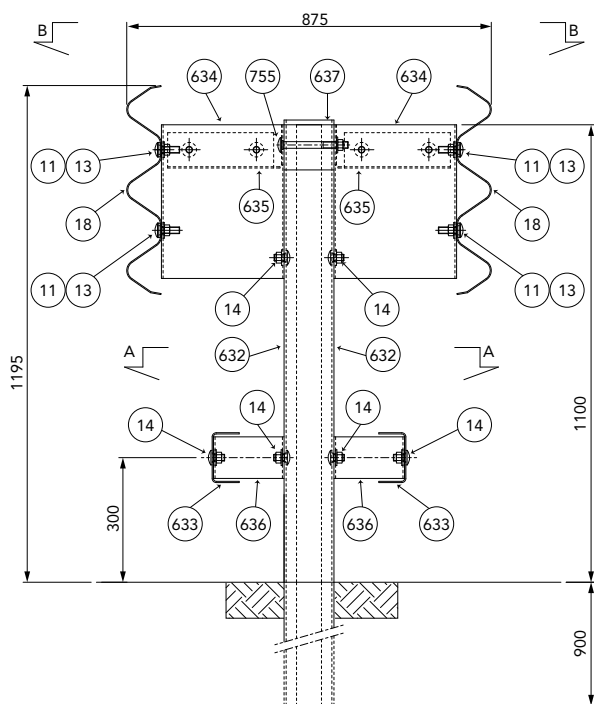
Aufhaltestufe H3 Mittelstreifenbereich - 3-welliges Rückhaltesystem W6

Classe H3 Glissière centrale - Glissière 3 crosses simple W6

Clase H3 Paso de mediana - Barrera de triple onda simple W6

# H3-W6

## 3-waves



### Caratteristiche Characteristics, Eigenschaften, Caractéristiques, Características

<b>Altezza fuori terra</b> Height above ground level, Höhe über Grundboden, Hauteur hors sol, Altura sobre el suelo	1195 mm
<b>Profondità d'infissione</b> Depth of penetration, Rammtiefe, Profondeur de piling du poteau, Longitud hincada	900 mm
<b>Ingombro trasversale</b> Overall width, Gesamtbreite, Grosseur hors tout, Anchura total	875 mm
<b>Interasse pali</b> Post spacing, Steherabstand, Distance entre poteaux, Distancia entre postes	1500 mm

### Rapporti di prova Crash test reports, Testberichte, Comptes rendus d'essais, Relaciones de pruebas

Test n.	Facility	Test	Type	Barrier length m	Mass kg	Speed km/h	ASI max 1.4	THIV max 33 km/h	D m	Vi m	W m
PROVA 635	Aisico	TB61	Laterale 20°	90	16.000	80	-	-	1,7	2,1	2,1=W6
PROVA 633	Aisico	TB11	Laterale 20°	90	900	100	1=A	29	0,4	-	1,2=W4

Sales office:

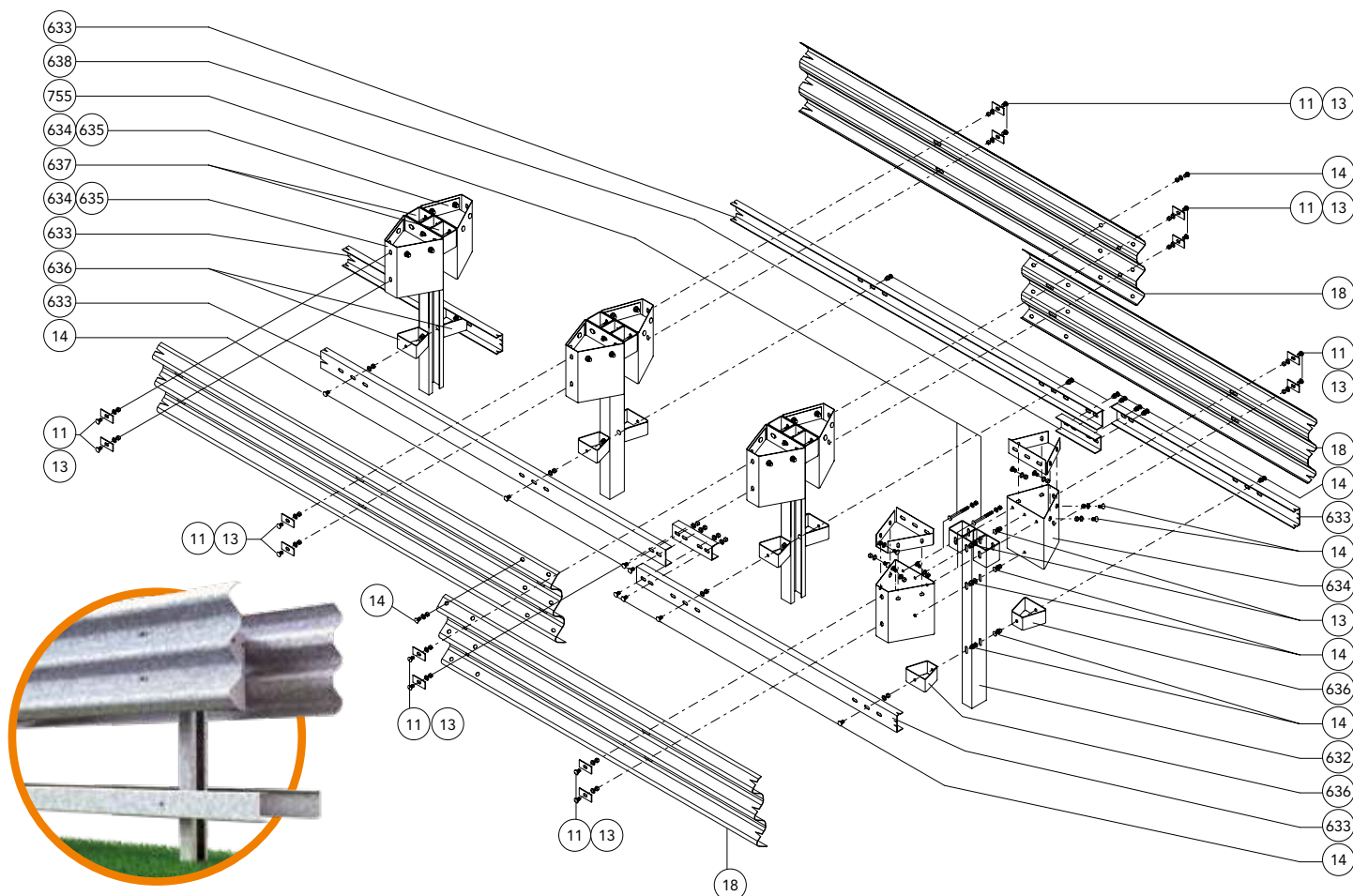
**MARCEGAGLIA BUILDTECH guardrail division**  
 strada Roveri, 4  
 15068 Pozzolo Formigaro, Alessandria - Italy  
 phone +39 . 0143 77 61 • fax +39 . 0143 77 63 53

guardrail@marcegaglia.com  
 www.marcegagliabuildtech.it

Plants:

**MARCEGAGLIA BUILDTECH Pozzolo Formigaro**  
 strada Roveri, 4  
 15068 Pozzolo Formigaro, Alessandria - Italy  
 phone +39 . 0143 77 61 • fax +39 . 0143 77 63 53

shirochiesa • July 2019



**Componenti Components, Bauteile, Composants, Elementos**

	Descrizione Description		Materiale Material
755	<b>Bullone completo</b> Bolt with nut and washer, Schraube komplett, Boulon complet, Tornillo completo con tuerca y arandela	M16x160 mm	Classe 8.8
638	<b>Manicotto di giunzione per corrente</b> Coupling box rear reinforcement, Verbindungsmuffe für Längsträger, Jonction poutre, Conector		S 235 JR
637	<b>Tubo quadro antirotazione</b> Anti-rotation square tube, Anti-Rotations-Vierkanrohr, Tube carré antirotation, Tubo cuadrado anti-rotación	120x120 Th=5 H=120 mm	S 235 JR
636	<b>Distanziatore trapezoidale inferiore</b> Trapezoidal lower spacer, Unterer trapezförmiger Abstandhalter, Entretoise trapézoïdale inférieure, Separador trapezoidal inferior		S 275 JR
635	<b>Piastra di chiusura superiore</b> Upper covering plate, Obere Abdeckplatte, Plaque de recouvrement supérieure, Placa de cierre superior		S 235 JR
634	<b>Distanziatore trapezoidale superiore</b> Trapezoidal upper spacer, Oberer trapezförmiger Abstandhalter, Entretoise trapézoïdale supérieure, Separador trapezoidal superior		S 235 JR
633	<b>Corrente "U"</b> U-rear reinforcement, U-Längsträger, Poutre en U, Larguero "U"	120x65 Th=3 L=4490 (1500x3) mm	S 235 JR
632	<b>Palo "C"</b> C-post, C-Steher, Poteau en C, Poste "C"	120x80x30 Th=5 H=2000 mm	S 235 JR
18	<b>Fascia 3 onde</b> 3-waves beam, 3-wellige Leitschiene, Glissière 3 crosses, Banda triple onda	L=4816 (1500x3) Th=3 mm	S 235 JR
14	<b>Bullone completo</b> Bolt with nut and washer, Schraube komplett, Boulon complet, Tornillo completo con tuerca y arandela	M16x30 mm	Classe 8.8
13		M16x50 mm	Classe 8.8
11	<b>Piastrina copriasola</b> Slot covering plate, Lochabdeckplatte, Plaque de couverture fente, Placa cubre-ranura	100x40x4 mm	S 275 JR